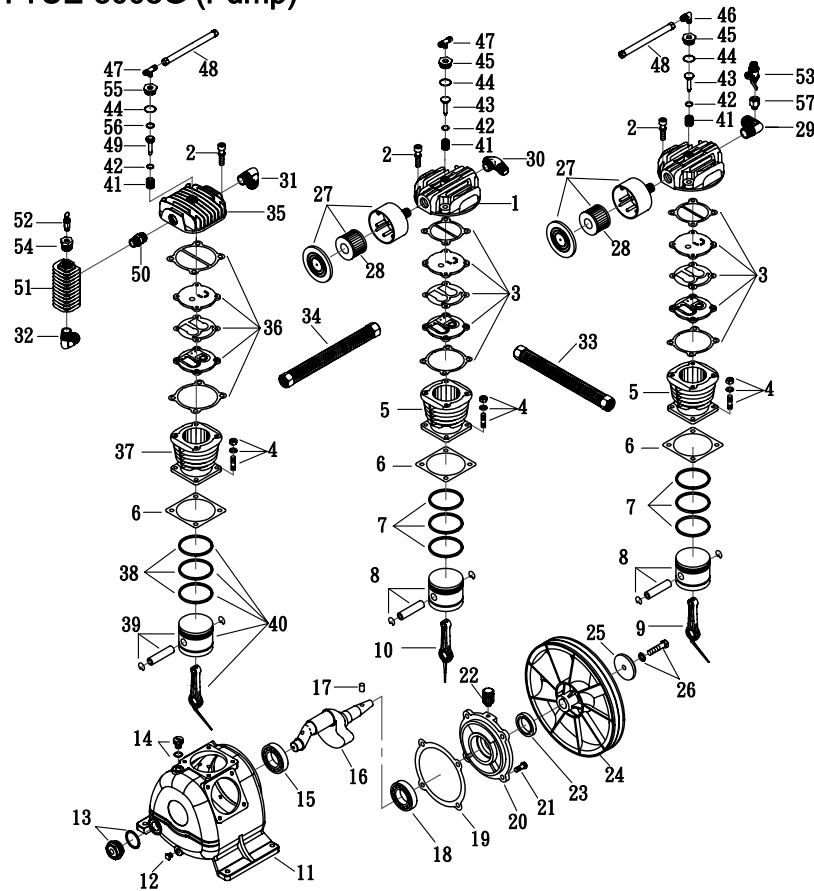


MODEL : TUE-8008G (Pump)

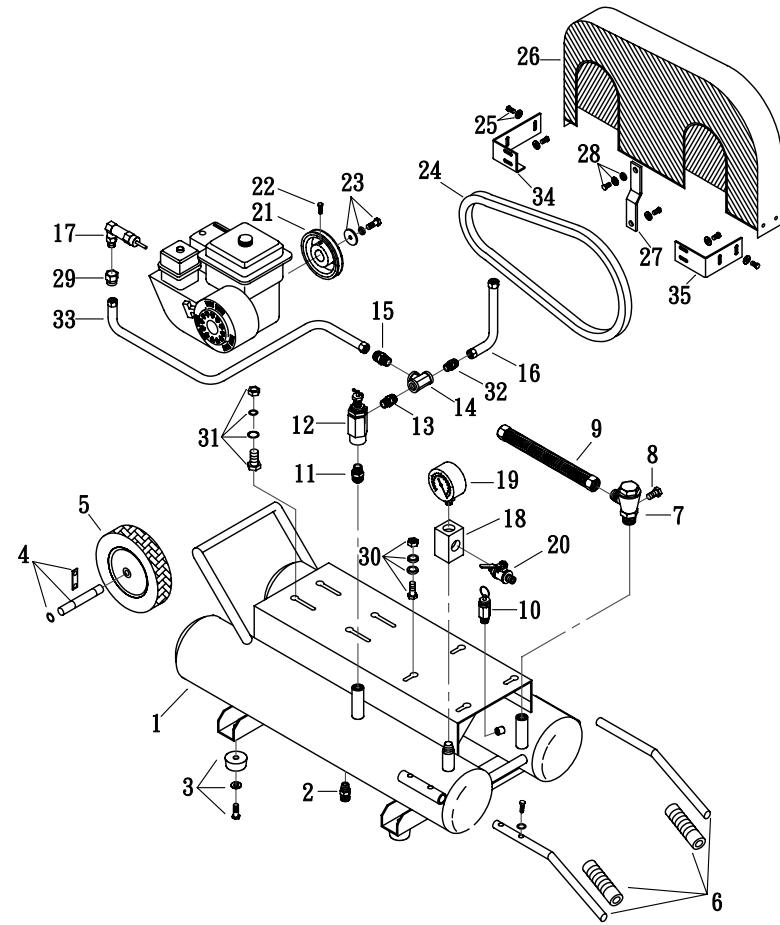


SPARE PARTS LIST

NO : MF-1103

REF. NO.	DESCRIPTION	PART NO.	QTY.	REF. NO.	DESCRIPTION	PART NO.	QTY.
1	Cylinder head	3101055	2	30	Exhaust 3-way pipe	2N09-04H04T04H2	1
2	Allen bolt set	2B01-M06*040V	12	31	Exhaust elbow	2N06-04T04H	1
3	In. & Ex. valve assembly	3B13-AC0765C	2	32	Exhaust elbow	2N06-06T04H	1
4	Double head screw	2B11-001-A	12	33	Exhaust tube set	3B2-04*195	1
5	Cylinder	3201035	2	34	Exhaust tube set	3B2-04*420	1
6	Cylinder gasket	2G04-003	3	35	Cylinder head	3101022	1
7	Piston ring set	3B32-65N	2	36	In. & Ex. valve assembly	3B13-AC0751C	1
8	Piston set	3B31-65N	2	37	Cylinder	3201039	1
9	Rod set	3B33-H2048	1	38	Piston ring set	3B32-51	1
10	Rod set	3B33-H2037	1	39	Piston set	3B31-TK2351	1
11	Crankcase	3301140	1	40	Piston & rod assembly	3B3-TK23	1
12	Oil draining plug	2N33-002	1	41	Unloading spring	2S03-001	3
13	Oil sight gauge set	2303022B	1	42	O-ring	2N52-P06V	3
14	Oil filling plug set	2319003A	1	43	Unloading piston	2113006	2
15	Bearing	2N35-6205	1	44	O-ring	2N52-P16*3V	3
16	Crankshaft & balancer	3304046	1	45	Unloading nut	2B26-001	2
17	Pulley key	2N47-63*09	1	46	Unloading elbow	2N06-01T02H	1
18	Bearing	2N35-6205Z	1	47	Unloading 3-way pipe	2N09-02H01T02H4	2
19	Bearing seat gasket	2G06-008	2	48	Unloading tube set	3B2-02*380N	2
20	Bearing seat	3311036	1	49	Unloading piston	2113016	1
21	Hexagon bolt	2B00-SM08*020	4	50	Nipple	2N01-04T04TS	1
22	Breathing cover	2321008	1	51	Spare tank	3125007	1
23	Oil seal	2N50-TC24*47*07	1	52	Pressure relief valve	2406020A	1
24	Pulley	3PBF-105A224	1	53	Ball valve	2413014	1
25	Plate washer	2B30-08*35*35	1	54	Bushing	2N02-002	1
26	Hexagon bolt set	2B00-SM08*035AV	1	55	Unloading nut	2B26-003	1
27	Air filter set	2140020A	2	56	O-ring	2N52-P09V	1
28	Filter element	2142013	2	57	Bushing	2N02-02T02TC	1
29	Exhaust elbow	2N06-04T04H02T	1				

MODEL : TUE-8008G (Receive Tank)



SPARE PARTS LIST

NO : MF-1103

REF. NO.	DESCRIPTION	PART NO.	QTY.	REF. NO.	DESCRIPTION	PART NO.	QTY.
1	Air tank	3401345	1	19	Pressure gauge	2D12-25V20KL	1
2	Drain valve	2405011	2	20	Ball valve	2413020	1
3	Rubber pad set	2433015A	4	21	Engine pulley	3PGF-040A2W1020	1
4	Tank wheel axis set	2418022A	1	22	Hexagon bolt	2B07-SM08*16	2
5	Theel wheel	2402038	1	23	Hexagon bolt set	2B00-FW035S*12V	1
6	Grip set	3432062-A	1	24	V-belt	2N31-A56	2
7	Check valve	2414025T	1	25	Hexagon bolt set	2B00-FM08*015W	9
8	Plug	2N33-001	1	26	Belt guard	3426052	1
9	Exhaust tube set	3B2-04*420	1	27	Bracket	3427043	1
10	Pressure relief valve	2406019A	1	28	Hexagon bolt set	2B00-FM06*020VW	1
11	Nipple	2N01-002	1	29	Idling device nut	2B23-CW02FFU	1
12	Unloading valve	2407005	1	30	Motor feet bolt set	2B08-FM08*30-M	4
13	Nipple	2N01-01N01N	1	31	Motor feet bolt set	2B08-FM10*38-G	4
14	Brass 3-way pipe	2N03-C111NF	1	32	Nipple	2N01-01T02HS	1
15	Nipple	2N15-C01TW02M	1	33	Tube	2T03-W02*0750	1
16	Unloading tube set	3B2-02*220N	1	34	Set bracket	3427046	1
17	Idling device	2423031	1	35	Set bracket	3427045	1
18	Brass 5-way pipe	2N04-C2234N	1				