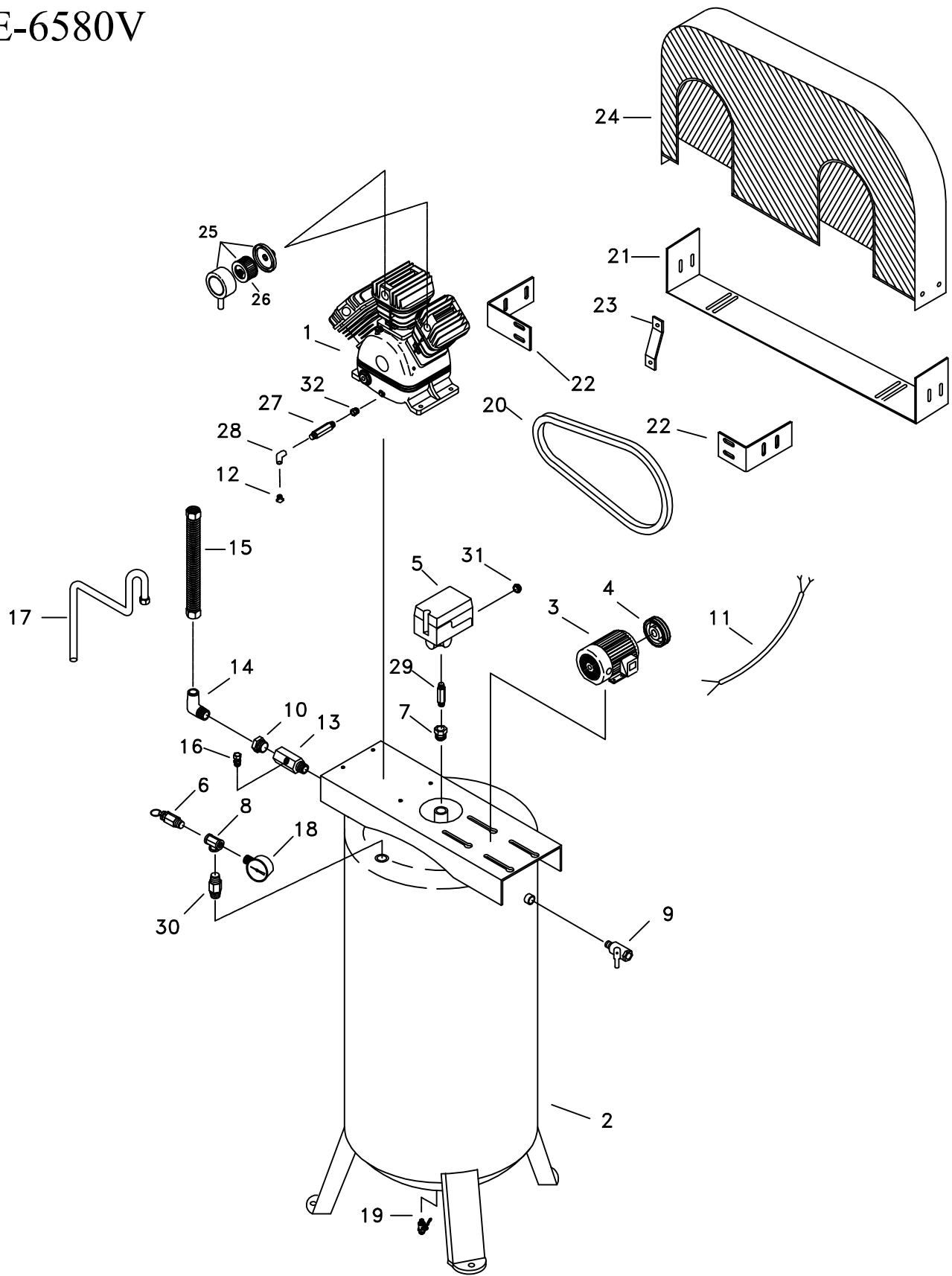


TE-6580V



PUMA INDUSTRIES, INC.
MEMPHIS, TN.
U.S.A.

VER.: RA-001

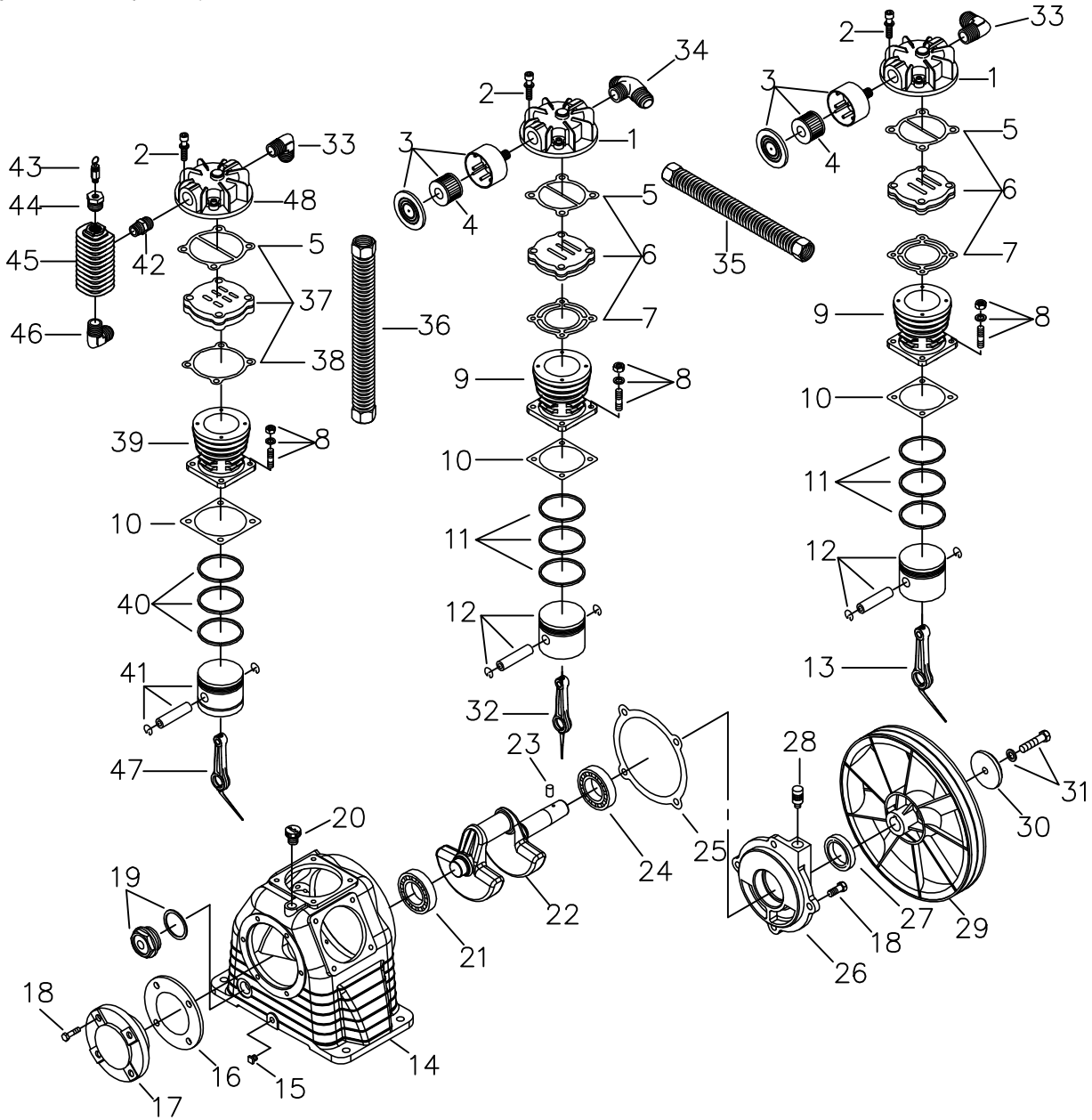
PARTS LIST

Model: TE-6580V

VER.: RA-001

REF. NO.	PARTS ID.	PARTS DESCRIPTION	QUANTITY
1	CT-40	PUMP	1.00
2	4001-80V	TANK	1.00
3	4027-65-21	MOTOR	1.00
4	1A40X07	PULLEY	1.00
5	056-LF175P1-M01	PRESSURE SWITCH (175PSI, METAL)	1.00
6	84006010	PRESSURE RELIEF VALVE	1.00
7	050-06MN02FN	BUSHING	1.00
8	067-02FFFNB-000	TEE	1.00
9	2413007	SERVICE VALVE	1.00
10	050-06MN04FN	BUSHING	1.00
11	2E02-3530702Y2F	ELECTRIC CABLE	1.00
12	046-02N-SH00	PLUG (1/4" NPT)	1.00
13	CV3434M	CHECK VALVE	1.00
14	2N06-04T04H	ELBOW	1.00
15	3B2-04540	DISCHARGE TUBE	1.00
16	035-02RN01MN-00	NIPPLE (STRAIGHT TUBE FITTING)	1.00
17	063-CU01X760	TUBE (CHECK VALVE - PRESSURE SWITCH)	1.00
18	2D12-20V20K	PRESSURE GAUGE	1.00
19	2413020	DRAIN VALVE	1.00
20	2N31-A61	BELT (A61)	1.00
21	3427202	BRACKET - BOTTOM	1.00
22	3427028	BRACKET - RIGHT & LEFT	2.00
23	3427015	BRACKET - CENTER	1.00
24	3426024	BELT GUARD	1.00
25	2140020A	AIR FILTER ASSEMBLY	2.00
26	1807 (2142013)	FILTER ELEMENT	2.00
27	2N01-008	NIPPLE (1/4"PT X 3"L)	1.00
28	024-02FFN90D-00	ELBOW	1.00
29	2N01-016	NIPPLE	1.00
30	035-02NX10-H00	NIPPLE	1.00
31	025A-03N-000	WIRE CLAMP	1.00
32	2N02-02T02NC	ADAPTOR	1.00

MODEL : CT40



SPARE PARTS LIST

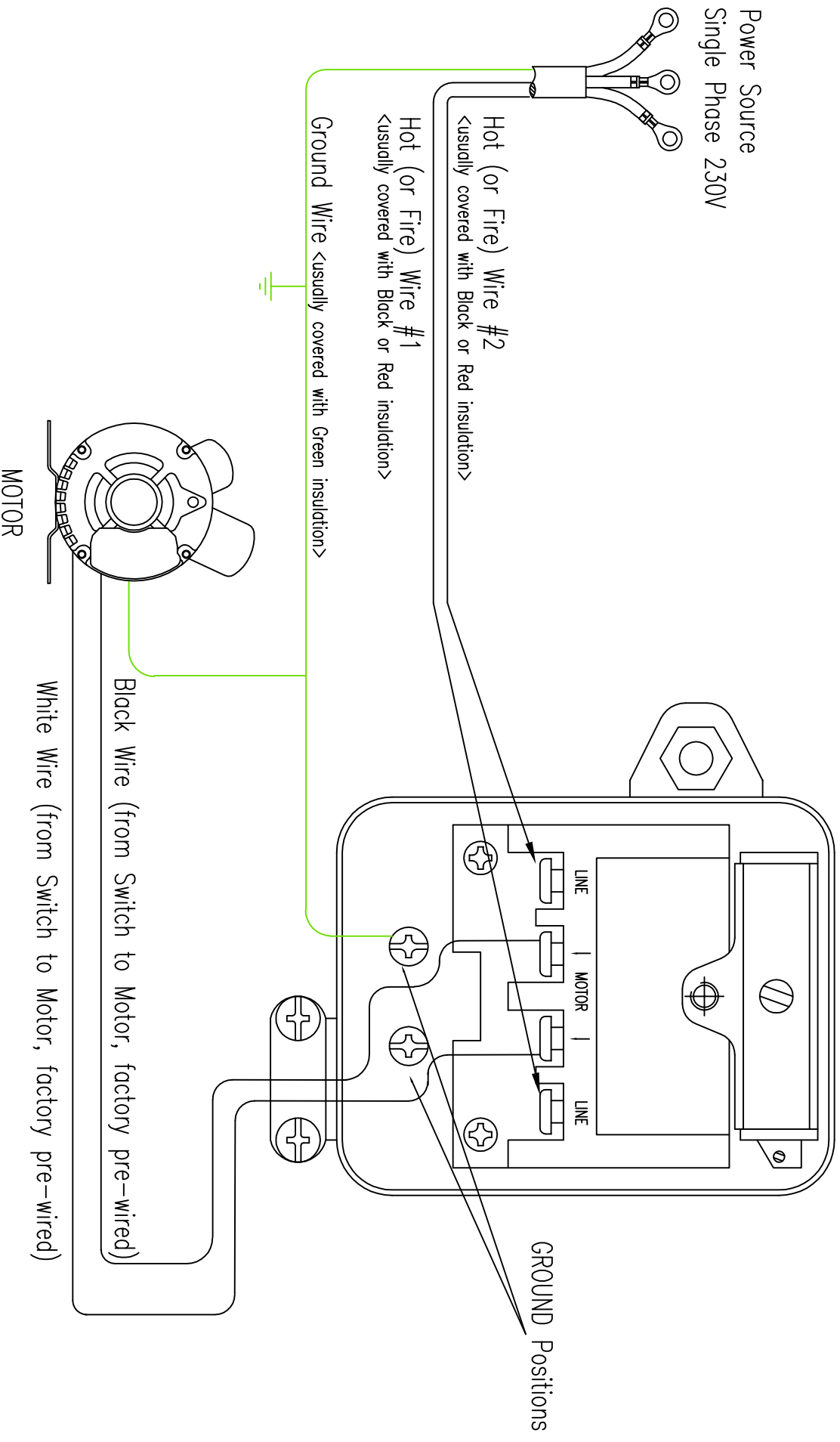
NO: MP-0611

REF. NO.	DESCRIPTION	PART NO.	QTY	REF. NO.	DESCRIPTION	PART NO.	QTY
1	Cylinder head	3101084A	2	25	Rear bearing end gasket	2G06-008	1
2	Allen bolt set	2B01-M06*040V	12	26	Rear bearing end	3311034	1
3	Air filter set	2140020A	2	27	Oil seal	2N50-TC24*47*07	1
4	Filter element	2142013	2	28	Breather	2321008	1
5	Cylinder head gasket	2G01-015	3	29	Pulley	3PBF-125A124	1
6	In. & Ex. valve assembly	3B13-K5065	2	30	Fender washer	2B30-08*35*35	1
7	Valve seat gasket	2G03-010	2	31	Hex bolt set	2B00-SM08*035AV	1
8	Stud screw set	2B11-001-A	12	32	Rod set	3B33-CT30M	1
9	Cylinder	3201083	2	33	Discharge elbow	2N06-04T04H	2
10	Cylinder gasket	2G04-003	3	34	Three way manifold	2N09-04H04T04H2	1
11	Piston ring set	3B32-CK3065	2	35	Discharge tube set	3B2-04*205	1
12	Piston set	3B31-CK3065	2	36	Discharge tube set	3B2-04*400	1
13	Rod set	3B33-CT30L	1	37	In. & Ex. valve assembly	3B13-K5051	1
14	Crankcase	3301121	1	38	Valve seat gasket	2G03-011	1
15	Oil draining plug	2N33-002	1	39	Cylinder	3201082	1
16	Front cover gasket	2G05-020	1	40	Piston ring set	3B32-CK2051	1
17	Front cover	3309041	1	41	Piston set	3B31-CT4051H	1
18	Hex bolt	2B00-SM08*020	8	42	Nipple	2N01-04T04T	1
19	Oil sight gauge set	2303014A	1	43	Pressure relief valve	2406020T	1
20	Oil filling plug set	2319003A	1	44	Bushing	2N02-002	1
21	Bearing	2N35-6205	1	45	Intercooler	3125007	1
22	Crankshaft & balancer	3304101	1	46	Discharge elbow	2N06-06T04H	1
23	Pulley key	2N47-63*09	1	47	Rod set	3B33-CT40H	1
24	Bearing	2N35-6205Z	1	48	Cylinder head	3101090A	1

Wiring Diagram (W/ METAL Housing Pressure Switch) For Models: TN-6580V, TE-6560V

Instructions:

1. Connect Hot Wire #1 to any one of two LINE position in the switch.
2. Connect Hot Wire #2 to another LINE position in the switch.
3. Connect GROUND wire to any one of two GROUND position in the switch.



Warning: This diagram is for your reference only. Please check with a qualified electrician or serviceman for wiring to meet your local electrical wiring code. Puma assumes no responsibility for changes to factory wiring.