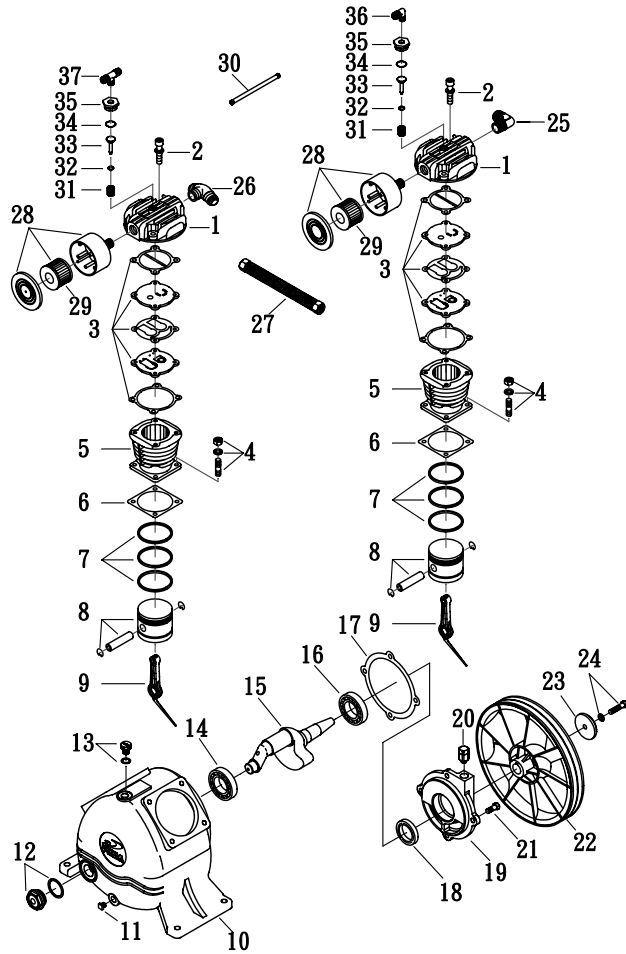


MODEL : PUK-5508G(Pump)

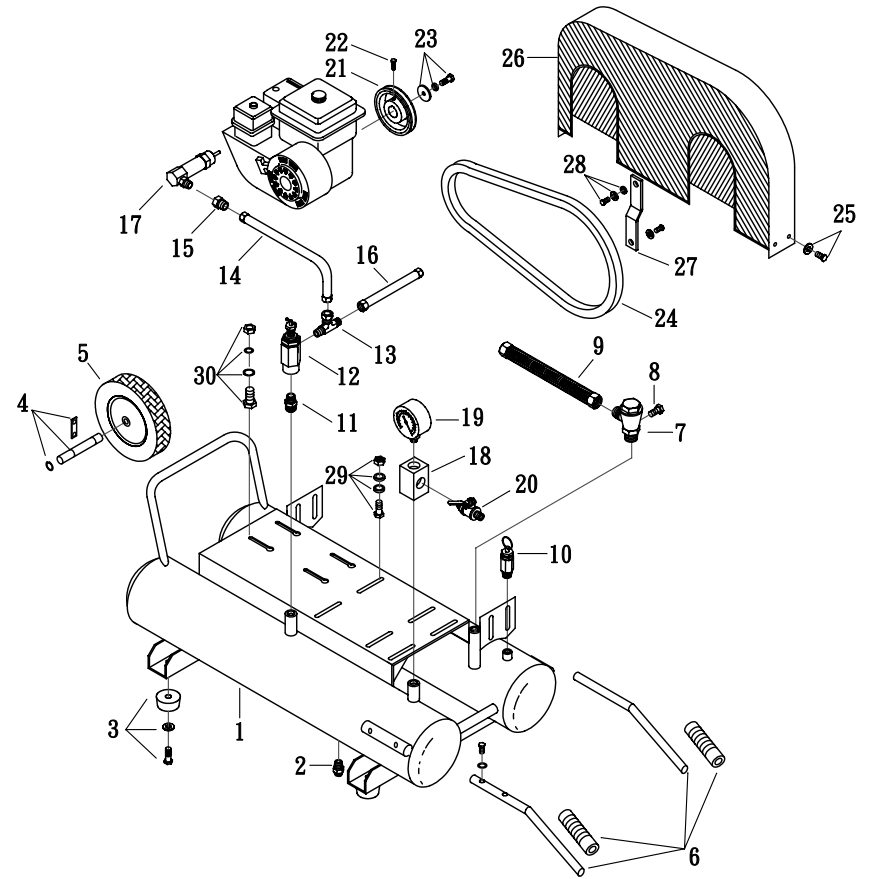


SPARE PARTS LIST

NO : MF-1112

| REF. NO. | DESCRIPTION | PART NO. | QTY. | REF. NO. | DESCRIPTION | PART NO. | QTY. |
|----------|--------------------------|-----------------|------|----------|--------------------------|-----------------|------|
| 1 | Cylinder head | 3101055 | 2 | 20 | Breathing cover | 2321008 | 1 |
| 2 | Allen bolt set | 3B01-M06*040V | 8 | 21 | Hexagon blot | 2B00-SM08*020 | 4 |
| 3 | In. & Ex. valve assembly | 3B13-AC0765C | 2 | 22 | Pulley | 3PBF-105A124 | 1 |
| 4 | Double head screw set | 3B11-001-A | 8 | 23 | Plate washer | 2B30-08*35*35 | 1 |
| 5 | Cylinder | 3201035 | 2 | 24 | Hexagon bolt set | 3B00-SM08*035AV | 1 |
| 6 | Cylinder gasket | 2G04-003 | 2 | 25 | Exhaust elbow | 2N06-04T04HSS | 1 |
| 7 | Piston ring set | 3B32-65N | 2 | 26 | Exhaust three way pipe | 2N09-04H04T04H1 | 1 |
| 8 | Piston set | 3B31-65N | 2 | 27 | Exhaust tube set | 3B2-04*240 | 1 |
| 9 | Rod set | 3B33-H20601 | 2 | 28 | Air filter set | 2140020A | 2 |
| 10 | Crankcase | 3301025 | 1 | 29 | Filter element | 2142013 | 2 |
| 11 | Oil draining plug | 2N33-002 | 1 | 30 | Unloading tube set | 3B2-02*475N | 1 |
| 12 | Oil sight gauge set | 2303022B | 1 | 31 | Unloading spring | 2S03-001 | 2 |
| 13 | Oil filling plug set | 2319003A | 1 | 32 | O-ring | 2N52-P06V | 2 |
| 14 | Bearing | 2N35-6204 | 1 | 33 | Unloading piston | 2113006 | 2 |
| 15 | Crankshaft & balancer | 3304038 | 1 | 34 | O-ring | 2N52-P16*3V | 2 |
| 16 | Bearing | 2N35-6205Z | 1 | 35 | Unloading nut | 2B26-001 | 2 |
| 17 | Rear bearing seat gasket | 2G06-008 | 1 | 36 | Unloading elbow | 2N06-01T02H | 1 |
| 18 | Oil seal | 2N50-TC24*47*07 | 1 | 37 | Unloading three way pipe | 2N09-02H01T02H4 | 1 |
| 19 | Rear bearing seat | 3311034 | 1 | | | | |

MODEL : PUK-5508G (Receive Tank)



SPARE PARTS LIST

NO : MF-1112

| REF. NO. | DESCRIPTION | PART NO. | QTY. | REF. NO. | DESCRIPTION | PART NO. | QTY. |
|----------|-----------------------|-----------------|------|----------|---------------------|-----------------|------|
| 1 | Air tank | 3401093 | 1 | 16 | Unloading tube set | 3B2-02*350N | 1 |
| 2 | Drain valve | 2405011 | 2 | 17 | Idling device | 2423030 | 1 |
| 3 | Rubber pad set | 3433015-A | 4 | 18 | Brass 4-way pipe | 2N04-C2234N | 1 |
| 4 | Tank wheel axis set | 3418022-A | 1 | 19 | Pressure gauge | 2D12-25V20KL | 1 |
| 5 | Teel wheel | 2402032B | 1 | 20 | Ball valve | 2413020 | 1 |
| 6 | Grip set | 3432062-A | 1 | 21 | Engine pulley | 3PGF-040A1W0615 | 1 |
| 7 | Check valve | 2414025T | 1 | 22 | Hexagon bolt | 2B07-SM08*16 | 2 |
| 8 | Plug | 2N33-001 | 1 | 23 | Hexagon bolt set | 3B00-FW025S*10V | 1 |
| 9 | Exhaust tube set | 3B2-04*440 | 1 | 24 | V-belt | 2N31-A50 | 1 |
| 10 | Pressure relief valve | 2406018A | 1 | 25 | Hexagon bolt set | 3B00-FM08*015W | 5 |
| 11 | Nipple | 2N01-002 | 1 | 26 | Belt guard | 3426013A | 1 |
| 12 | Pilot valve | 2407007 | 1 | 27 | Bracket | 3427043A | 1 |
| 13 | Male run tee | 2N17-C01NW2M02H | 1 | 28 | Hexagon bolt set | 3B00-SM06*020VW | 1 |
| 14 | Tube | 2T03-W02*0350G | 1 | 29 | Motor feet bolt set | 3B08-FM08*30-M | 4 |
| 15 | Idling device nut | 2B23-CW02FPU | 1 | 30 | Motor feet bolt set | 3B08-FM08*42-G | 4 |