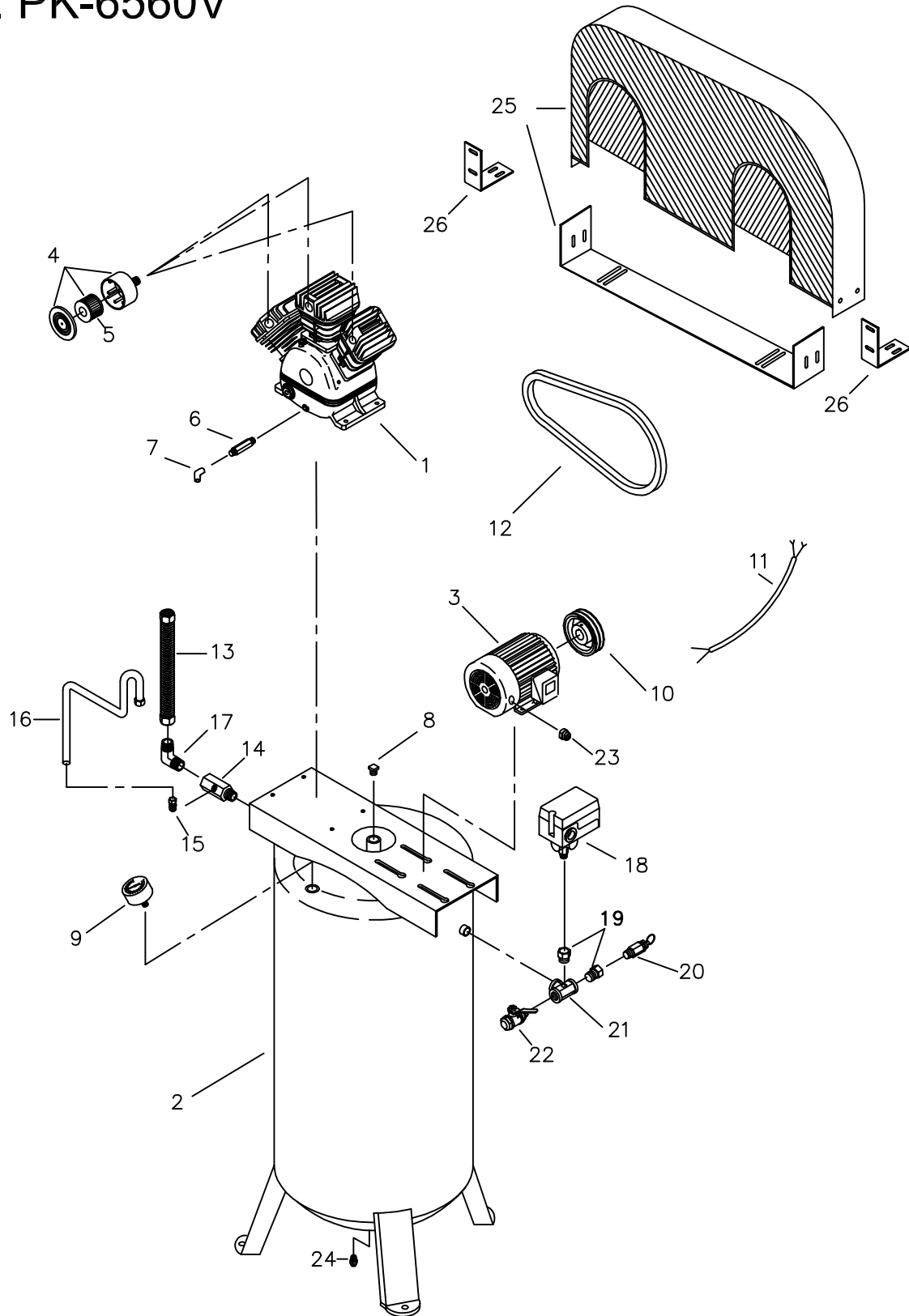


# MODEL : PK-6560V



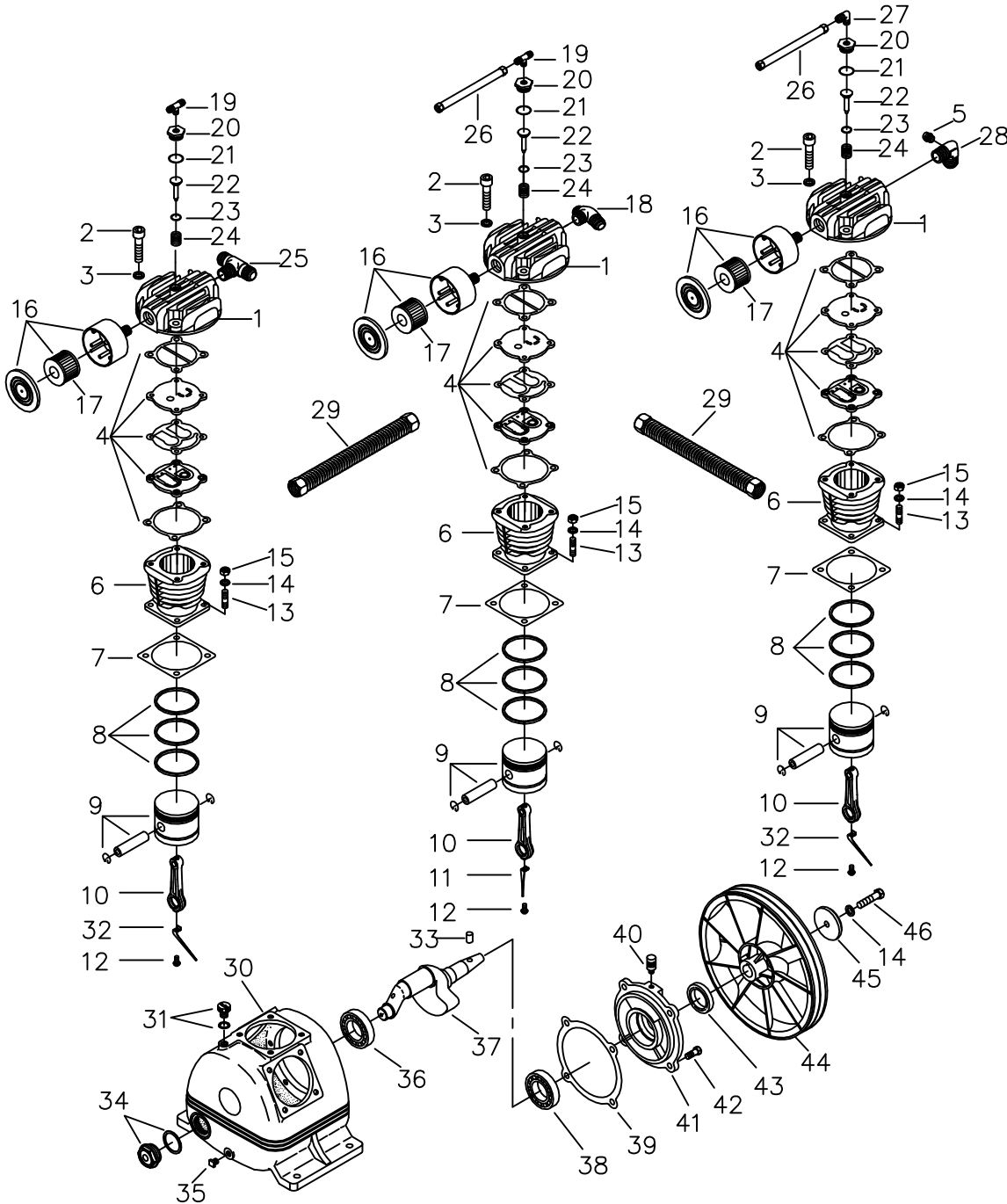
# PARTS LIST

Model: PK-6560V

VER.: OA-010.R01

REF. NO.	Component ID	Component Description	QUANTITY
1	PUK-65	PUMP	1.00
	2N33-001	PLUG	3.00
2	4001-60V	TANK	1.00
3	4027-65-21	MOTOR	1.00
4	2140020A	AIR FILTER	3.00
5	1807 (2142013)	FILTER ELEMENT	3.00
6	2N01-008	OIL DRAINING TUBE	1.00
7	024-02FFN90D-00	ELBOW	1.00
8	046-02N-A00	PLUG	1.00
9	2D12-20D20K	PRESSURE GAUGE	1.00
10	3PMF-040A2W0715	PULLEY	1.00
11	2E02-3530702Y2F	ELECTRIC CABLE	1.00
12	2N31-A49	BELT (A49)	2.00
13	3B2-04500	DISCHARGE TUBE	1.00
14	CV1212M	CHECK VALVE	1.00
15	035-02RN01MN-00	NIPPLE (STRAIGHT FITTING)	1.00
16	063-CU01X1135	TUBE (Check Vavle to Pressure Switch)	1.00
17	2N06-04T04H	ELBOW	1.00
18	2E21-008XN1	PRESSURE SWITCH	1.00
19	2N02-02T02NC	BUSHING (ADAPTOR)	2.00
20	84006009	PRESSURE RELIEF VALVE	1.00
21	3415009	MANIFOLD	1.00
22	2413002	SERVICE VALVE	1.00
23	025A-03N-000	WIRE CLAMP	1.00
24	2405011	DRAIN VALVE	1.00
25	3426041	BELT GUARD	1.00
25	3427201	BELT GUARD BASE	1.00
26	3427028	BRACKET	2.00

# MODEL : PUK65



## PARTS LIST

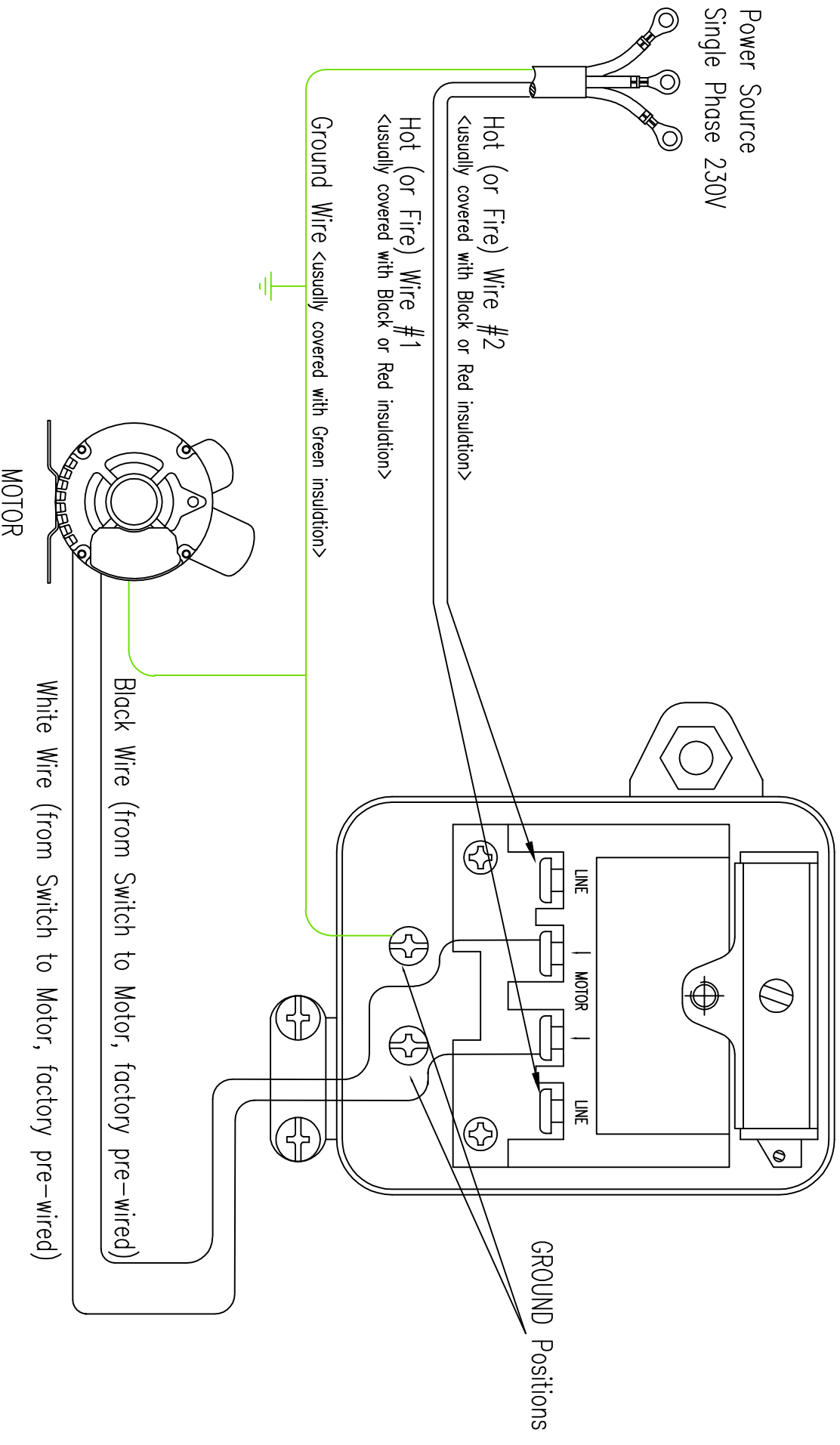
NO?MP-0410

REF. NO.	DESCRIPTION	PART NO.	QTY.	REF. NO.	DESCRIPTION	PART NO.	QTY.
1	Cylinder head	3101055	3	24	Unloading spring	2S03-001	3
2	Hex socket bolt	2B01-M06*040	12	25	Discharge tee	2N09-04H04T04H4	1
3	Lock washer	2B33-M06	12	26	Tube	2T03-W02*0300	2
4	Valve assembly	3B13-AC0765	3	27	Elbow	2N16-C01TW02M	1
5	Auto relief vavle	2409012	1	28	Discharge elbow	2N06-04T04H02T	1
6	Cylinder	3201035	3	29	Discharge tube set	3B2-04*195	2
7	Cylinder gasket	2G04-003	3	30	Crankcase	3301021	1
8	Piston ring set	3B32-65	3	31	Oil filling cap	2319003A	1
9	Piston set	3B31-65L	3	32	Oil splasher	2317019	2
10	Rod	2315028	3	33	Pulley key	2N47-63*09	1
11	Oil splasher	2317018	1	34	Oil sight gauge	2303003A	1
12	Bolt (+)	2B02-FM5*010	3	35	Oil draining plug	2N33-002	1
13	Stud screw	2B11-001	12	36	Bearing	2N35-6205	1
14	Split washer	2B33-M08	13	37	Crankshaft	3304046	1
15	Hex nut	2B20-FM08	12	38	Bearing	2N35-6205Z	1
16	Air filter set	2140020A	3	39	Bearing end gasket	2G06-008	1
17	Filter element	2142013	3	40	Breather	2321003	1
18	Discharge tee	2N09-04H04T04H2	1	41	Bearing end	3311014	1
19	Nipple	2N17-CW0201TW2M	2	42	Hex bolt	2B00-SM08*020	4
20	Hex nut	2B26-001	3	43	Oil seal	2N50-TC24*47*07	1
21	O-ring	2N52-P16*3V	3	44	Pulley	3PBF-105A224	1
22	Unloading piston	2113006	3	45	Flat washer	2B30-08*35*35	1
23	O-ring	2N52-P06V	3	46	Hex bolt	2B00-SM08*035A	1

# Wiring Diagram ( W/ METAL Housing Pressure Switch ) For Models: TN-6580V, TE-6560V

Instructions:

1. Connect Hot Wire #1 to any one of two LINE position in the switch.
2. Connect Hot Wire #2 to another LINE position in the switch.
3. Connect GROUND wire to any one of two GROUND position in the switch.



Warning: This diagram is for your reference only. Please check with a qualified electrician or serviceman for wiring to meet your local electrical wiring code. Puma assumes no responsibility for changes to factory wiring.