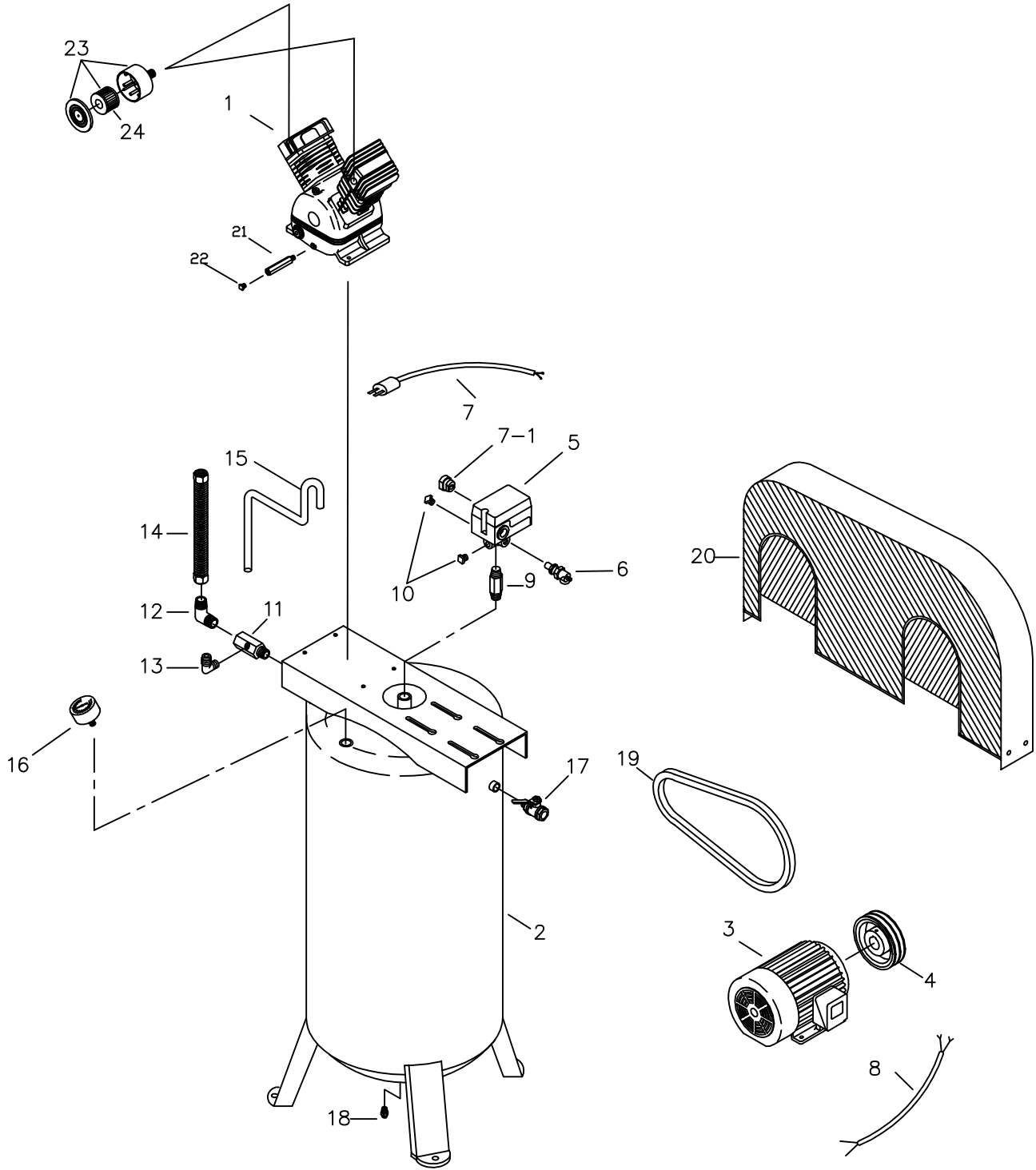


MODEL : PK-5030V



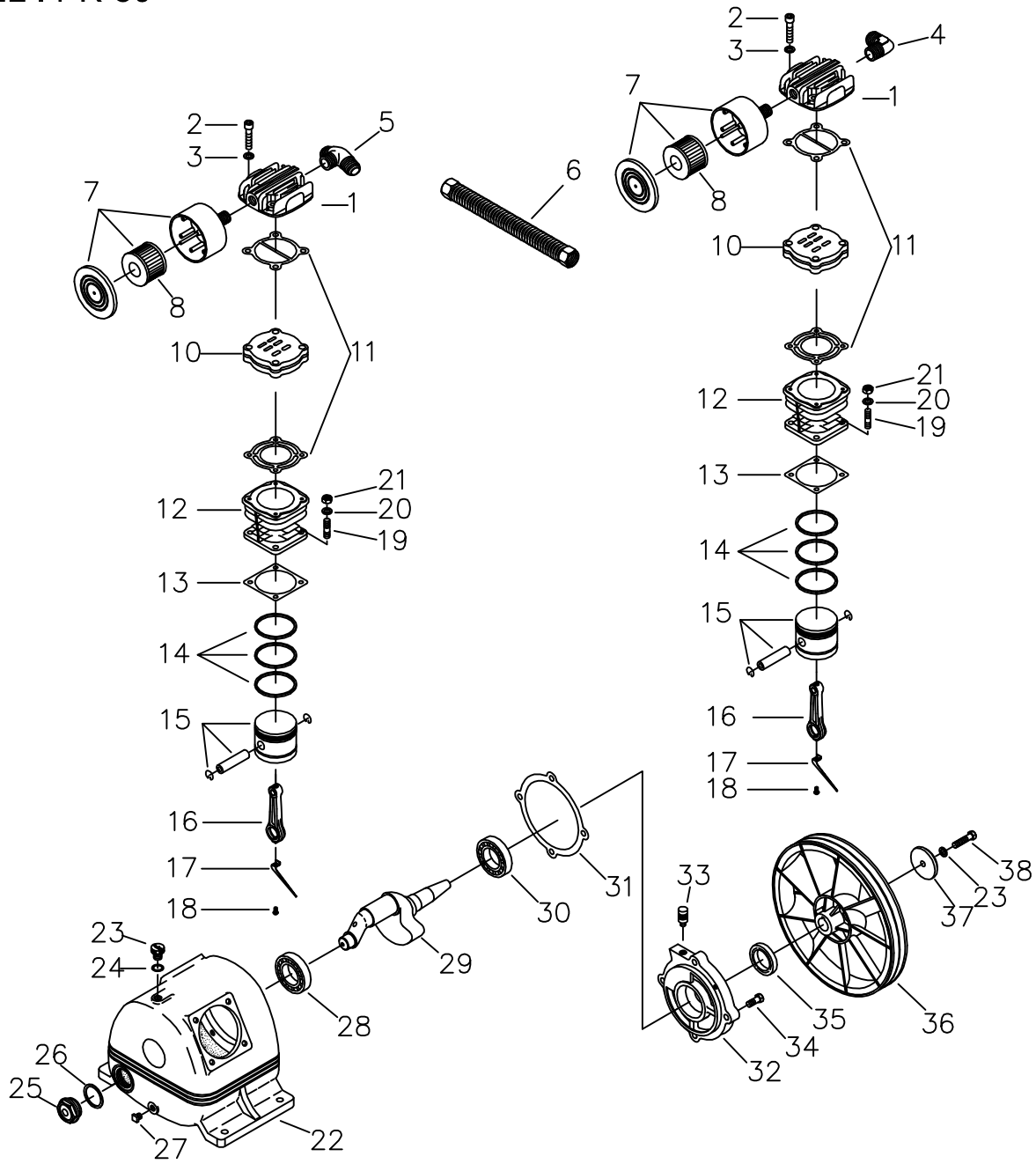
PARTS LIST

Model: PK-5030V

VER.: PA-010

REF. NO.	PARTS ID.	DESCRIPTION	QUANTITY
1	PK-50	PUMP	1.00
2	4001-30V	TANK	1.00
	050-14MN04FN	BUSHING (LEFT)	1.00
	050-04MN02FN	BUSHING (FRONT)	1.00
3	4027-5S	MOTOR	1.00
4	1A35X05	PULLEY	1.00
5	056-CD135P4-001	PRESSURE SWITCH	1.00
6	84006009	PRESSURE RELIEF VALVE	1.00
7	025-A14W3P1X3-0	ELECTRIC CABLE (W/ PLUG)	1.00
7-1	025A-03N-000	WIRE CLAMP (CONDUIT)	1.00
8	2E02-3530702Y2F	ELECTRIC CABLE (PRESSURE SWITCH to MOTOR)	1.00
9	035-02NX40-R00	NIPPLE	1.00
10	046-02N-SH00	PLUG	2.00
11	CV1212M	CHECK VALVE	1.00
12	2N06-04T04H	ELBOW	1.00
13	035-02RN01MN-00	NIPPLE (STRAIGHT FITTING)	1.00
14	3B2-04590	DISCHARGE TUBE	1.00
15	063-NL01X550	TUBE (Check Valve to Pressure Switch)	1.00
16	2D12-20D20K	PRESSURE GAUGE	1.00
17	2413007	SERVICE VALVE	1.00
18	2405011	DRAIN VALVE	1.00
19	2N31-A48	BELT	1.00
20	3426041	BELT GUARD	1.00
21	2305002	OIL DRAINING TUBE	1.00
22	2N33-001	PLUG	1.00
23	2140019A	AIR FILTER	2.00
24	1807 (2142013)	FILTER ELEMENT	2.00

MODEL : PK-50



PARTS LIST

NO: QC-0203-K51

REF. NO.	DESCRIPTION	PART NO.	QTY.	REF. NO.	DESCRIPTION	PART NO.	QTY.
1	Cylinder head	3101052	2	20	Split lock washer	2B33-M08	9
2	Hex socket head bolt	2B01-M06*040	8	21	Hex nut	2B20-FM08	8
3	Split lock washer	2B33-M06	8	22	Crankcase	3301014	1
4	Elbow	2N06-04T04H	1	23	Oil filling cap	2319003	1
5	Tee	2N09-04H04T04H1	1	24	Oil filling cap gasket	2G11-005	1
6	Discharge tube kit	3B2-04*215	1	25	Oil sight gauge	2303004	1
7	Air filter	2140019A	2	26	Oil sight gauge gasket	2G11-003	1
8	Filter element	1807 (2142013)	2	27	Oil draining plug	2N33-001	1
9	Cylinder head gasket	2G01-015	2	28	Bearing	2N35-6204	1
10	Inlet & Outlet valve assembly	3B13-K51	2	29	Crankshaft & counterweight	3304038	1
11	Valve plate gasket kit	3B71-PK10	2	30	Bearing	2N35-6205Z	1
12	Cylinder	3201036	2	31	Rear bearing end gasket	2G06-008	1
13	Cylinder gasket	2G04-002	2	32	Rear bearing end	3311015	1
14	Piston ring kit	3B32-51	2	33	Breather	2321002	1
15	Piston kit	3B31-51L	2	34	Hex bolt	2B00-SM08*020	4
16	Rod	2315029	2	35	Oil seal	2N50-TC24*47*07	1
17	Oil splasher	2317019	2	36	Pulley	3PBF-105A124	1
18	Bolt(+)	2B02-FM5*010	2	37	Flat washer	2B30-08*35*35	1
19	Stud screw	2B11-001	8	38	Hex bolt	2B00-SM08*035A	1