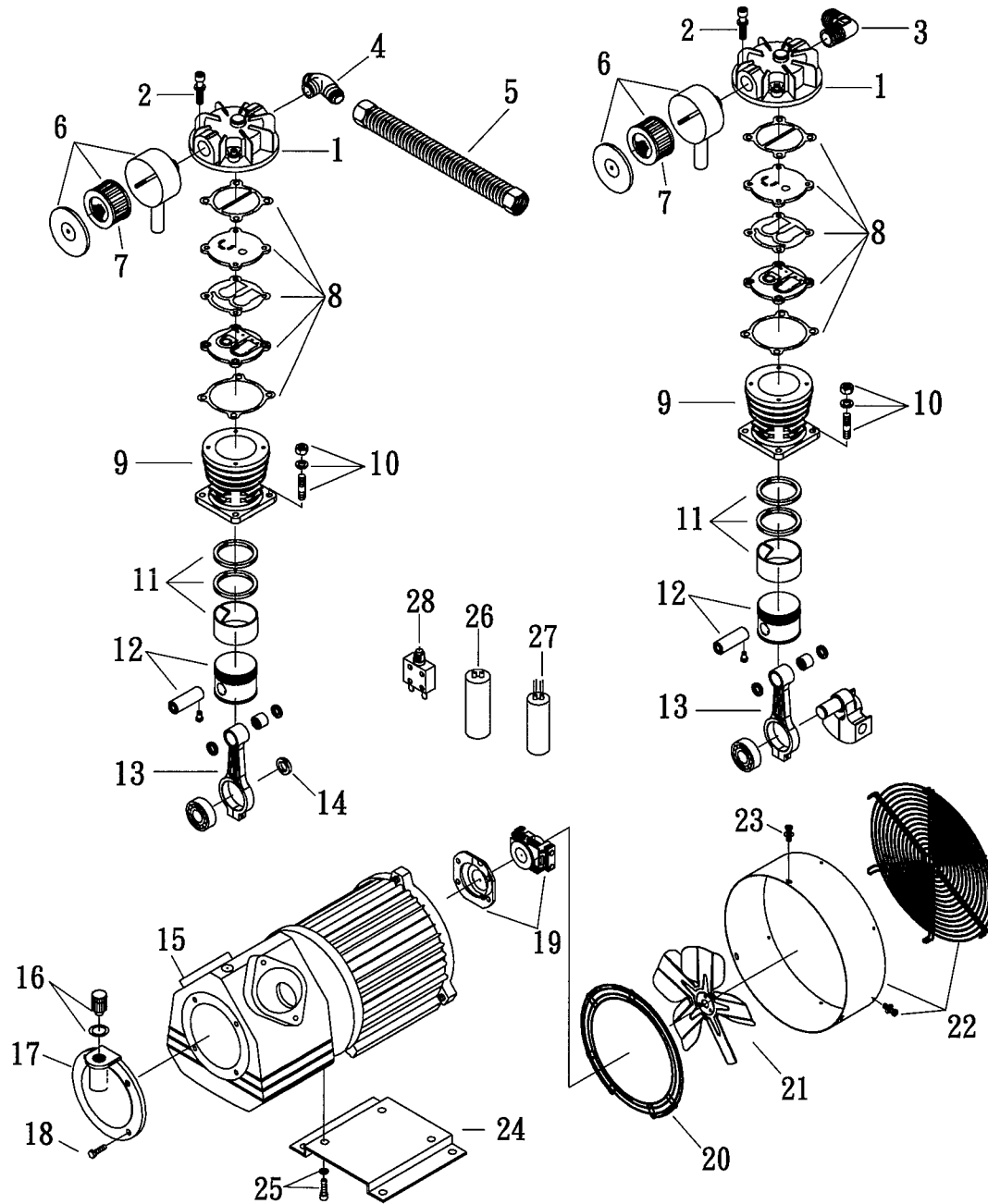


MODEL : PF3



SPARE PARTS LIST

NO : MF-1807

REF. NO.	DESCRIPTION	PART NO.	QTY.	REF. NO.	DESCRIPTION	PART NO.	QTY.
1	Cylinder head	3101084AB	2	15	Motor set	3B8-PF4003MH	1
2	Allen bolt set	3B01-M06*040V	8	16	Breather cover	2321008	1
3	Exhaust elbow	2N06-04T04HC	1	17	Front cover	3309023A	1
4	Exhaust three way pipe	2N09-04H04T04H1C	1	18	Hexagon bolt set	2B00-FM06*015	4
5	Tube set	3B2-04*205	1	19	Centrifugal starter	2E24-19084P	1
6	Air filter	2140038	2	20	Fan net	2E31-002	1
7	Filter element	2142021	2	21	Cooling fan	3336043S	1
8	Inlet&Exhaust valve assembly	3B13-AC0763Y	2	22	Fan cover	3337020-A	1
9	Cylinder	3201099	2	23	Round head bolt	2B02-FM5*010WB	3
10	DDouble head screw	3B11-008-A	4	24	Motor base	3421013	1
11	Piston ring set	3B32-PF2055	2	25	Allen bolt set	3B01-M08*020V	4
12	Piston set	3B31-PF2055	2	26	Starting capacitor	2E28-200F2535	1
13	Rod	2315070	1	27	Running capacitor	2E27-070F2540	1
14	Busing	3156104	1	28	Thermal protector	2E25-10A	1