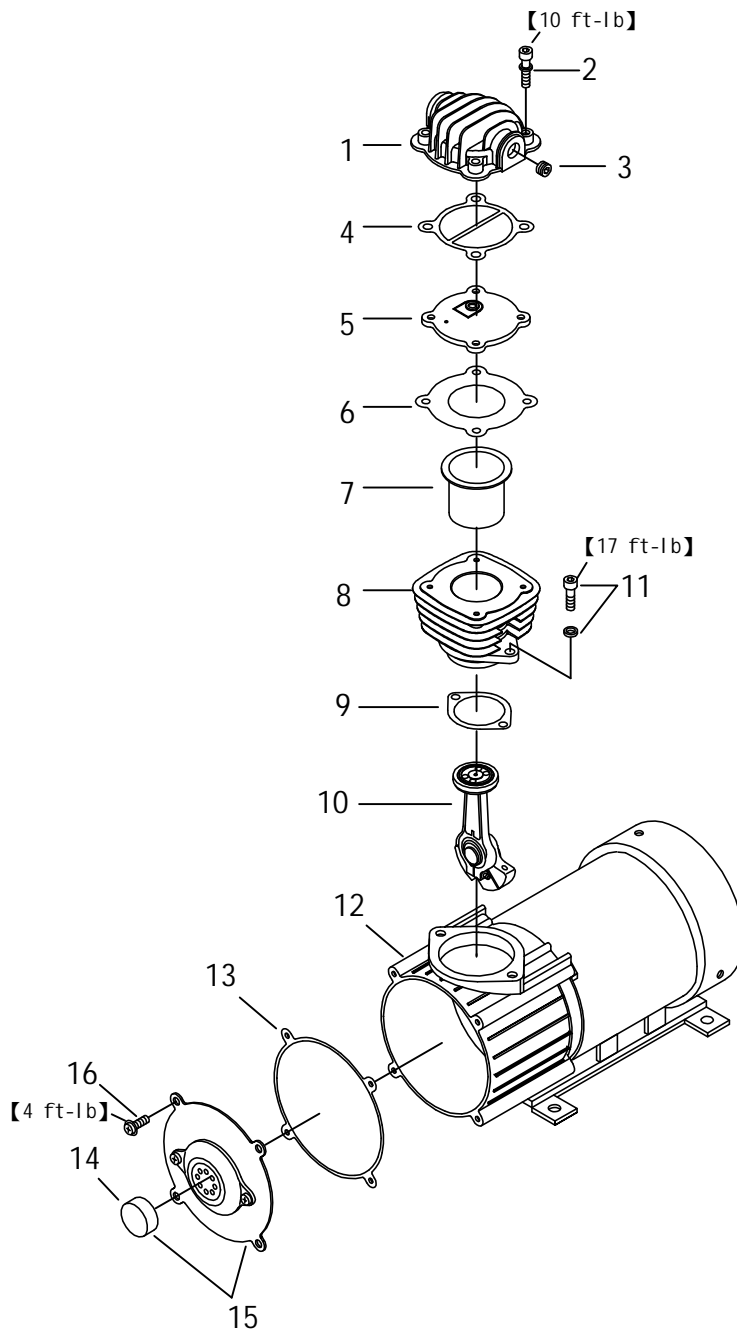


MODEL : PD10B



SPARE PARTS LIST

NO : MF-1610

REF. NO.	DESCRIPTION	PART NO.	QTY.	REF. NO.	DESCRIPTION	PART NO.	QTY.
1	Cylinder head	3101061	1	9	Cylinder gasket	2G04-024	1
2	Allen bolt	3B01-M06*035V	4	10	Rod set	3B34-DD07	1
3	Plug	2B14-ST03E	1	11	Allen bolt set	3B01-M08*025V	2
4	Cylinder head gasket	2G01-015H	1	12	Motor set	3B8-DD0712V	1
5	Exhaust valve seat set	3B11-DD07	1	13	Front cover gasket	2G07-014	1
6	Valve seat gasket	2G03-008H	1	14	Filter element	2142014	1
7	Cylinder liner	3210007	1	15	Filter	2140034	1
8	Cylinder	3201075	1	16	Bolt	2B02-FM5*010WB	4