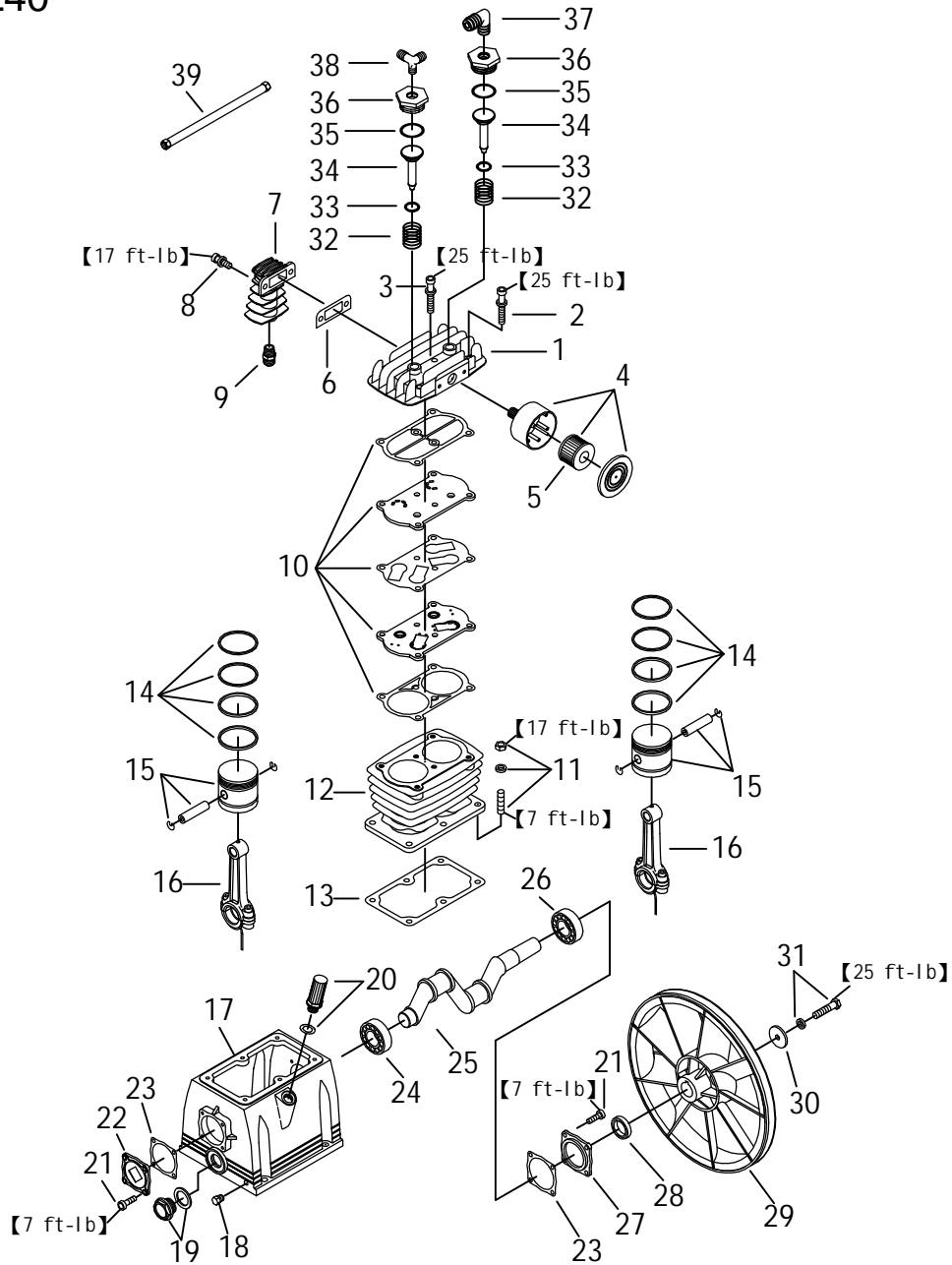


MODEL : HUL40



SPARE PARTS LIST

NO : MF-1201

| REF. NO. | DESCRIPTION | PART NO. | QTY. | REF. NO. | DESCRIPTION | PART NO. | QTY. |
|----------|--------------------------|---------------|------|----------|--------------------------|-----------------|------|
| 1 | Cylinder head | 3101059A | 1 | 21 | Allen bolt | 2B01-M06*020 | 8 |
| 2 | Allen bolt set | 3B01-M08*050V | 4 | 22 | Front bearing seat | 3309006 | 1 |
| 3 | Allen bolt set | 3B01-M08*065V | 2 | 23 | Rear bearing seat gasket | 2G06-005 | 2 |
| 4 | Air filter set | 2140019A | 1 | 24 | Bearing | 2N35-6205 | 1 |
| 5 | Filter element | 2142013 | 1 | 25 | Crankshaft & balancer | 3304074 | 1 |
| 6 | Exhaust elbow gasket | 2G09-001H | 1 | 26 | Bearing | 2N35-6205Z | 1 |
| 7 | Exhaust tank | 3127005 | 1 | 27 | Rear bearing seat | 3311009 | 1 |
| 8 | Allen bolt set | 3B01-M08*025V | 2 | 28 | Oil seal | 2N50-TC25*35*07 | 1 |
| 9 | Nipple | 2N01-023 | 1 | 29 | Pulley | 3PBF-105A124 | 1 |
| 10 | In. & Ex. valve assembly | 3B13-AH30 | 1 | 30 | Plate washer | 2B30-08*35*35 | 1 |
| 11 | Double head screw set | 3B11-001-A | 6 | 31 | Hexagon bolt set | 3B00-SM08*035AV | 1 |
| 12 | Cylinder | 3201058 | 1 | 32 | Unloading spring | 2S03-001 | 2 |
| 13 | Cylinder gasket | 2G04-017 | 1 | 33 | O-ring | 2N52-P06V | 2 |
| 14 | Piston ring set | 3B32-651N | 2 | 34 | Unloading piston | 2113007 | 2 |
| 15 | Piston set | 3B31-652 | 2 | 35 | O-ring | 2N52-P16*3V | 2 |
| 16 | Rod set | 3B33-HL25 | 2 | 36 | Unloading nut | 2B26-001 | 2 |
| 17 | Crankcase | 3301055 | 1 | 37 | Unloading elbow | 2N06-01T02H | 2 |
| 18 | Oil draining plug | 2N33-001 | 1 | 38 | Unloading 3-way pipe | 2N09-02H01T02H1 | 1 |
| 19 | Oil sight gauge set | 2303022B | 1 | 39 | Unloading tube set | 3B2-02*170N | 1 |
| 20 | Breather set | 2339009A | 1 | | | | |