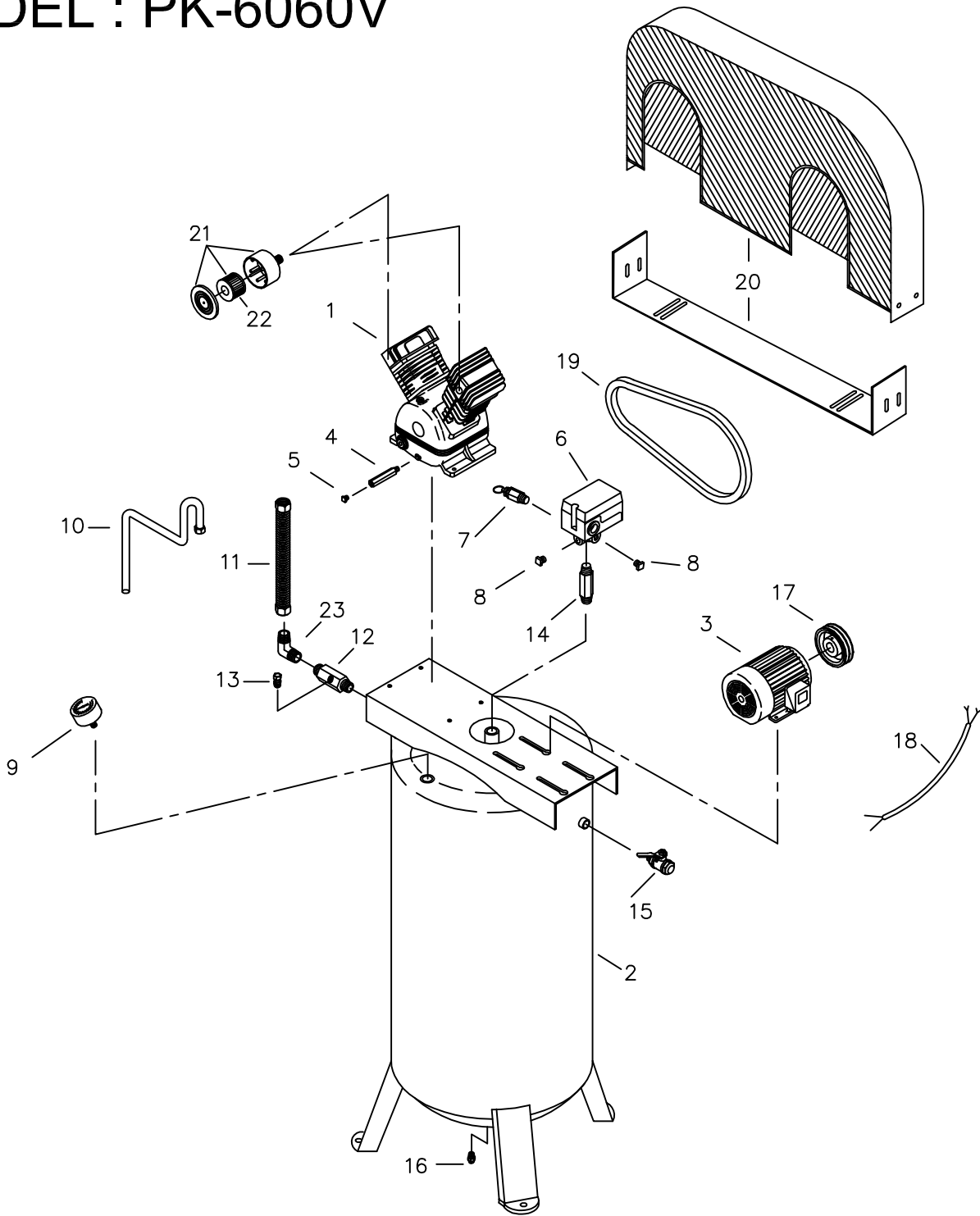


# MODEL : PK-6060V



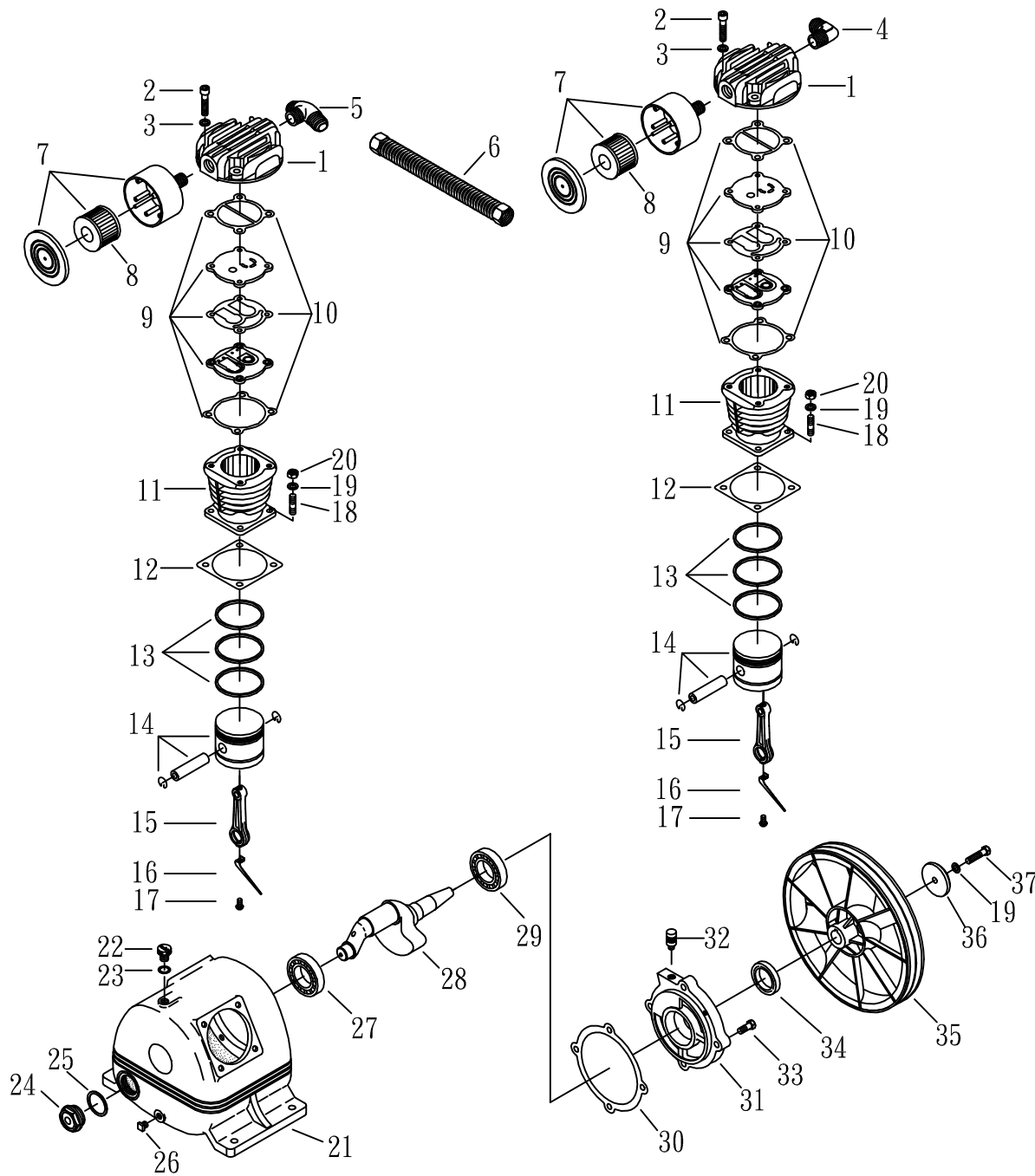
# PARTS LIST

Model: PK-6060V

VER.: OA-010D

REF. NO.	Component ID	Component Description	Quantity
1	PK60	PUMP	1.00
2	4001-60V	TANK	1.00
3	4027-6S	MOTOR	1.00
4	2305002	OIL DRAINING PIPE	1.00
5	2N33-001	PLUG	1.00
6	056-LF125P4-001	PRESSURE SWITCH	1.00
7	84006009	PRESSURE RELIEF VALVE	1.00
8	046-02N-A00	PLUG	2.00
9	2D12-20D20K	PRESSURE GAUGE	1.00
10	063-NL01X650	TUBE (Check Vavle to Pressure Switch)	1.00
11	3B2-04580	DISCHARGE TUBE	1.00
12	CV1212M	CHECK VALVE	1.00
13	035-02RN01MN-00	NIPPLE (STRAIGHT TUBE FITTING)	1.00
14	035-02NX40-R00	NIPPLE	1.00
15	2413007	SERVICE VALVE	1.00
16	2405011	DRAIN VALVE	1.00
17	1A38X05	PULLEY	1.00
18	2E02-3530702Y2F	ELECTRIC CABLE	1.00
19	2N31-A48	BELT A48	1.00
20	3426041	BELT GUARD	1.00
20	3427201	BELT GUARD BOTTOM COVER	1.00
21	2140019A	AIR FILTER	2.00
22	1807 (2142013)	FILTER ELEMENT	2.00
23	2N06-04T04H	ELBOW	1.00

# MODEL : PK-60



## PARTS LIST

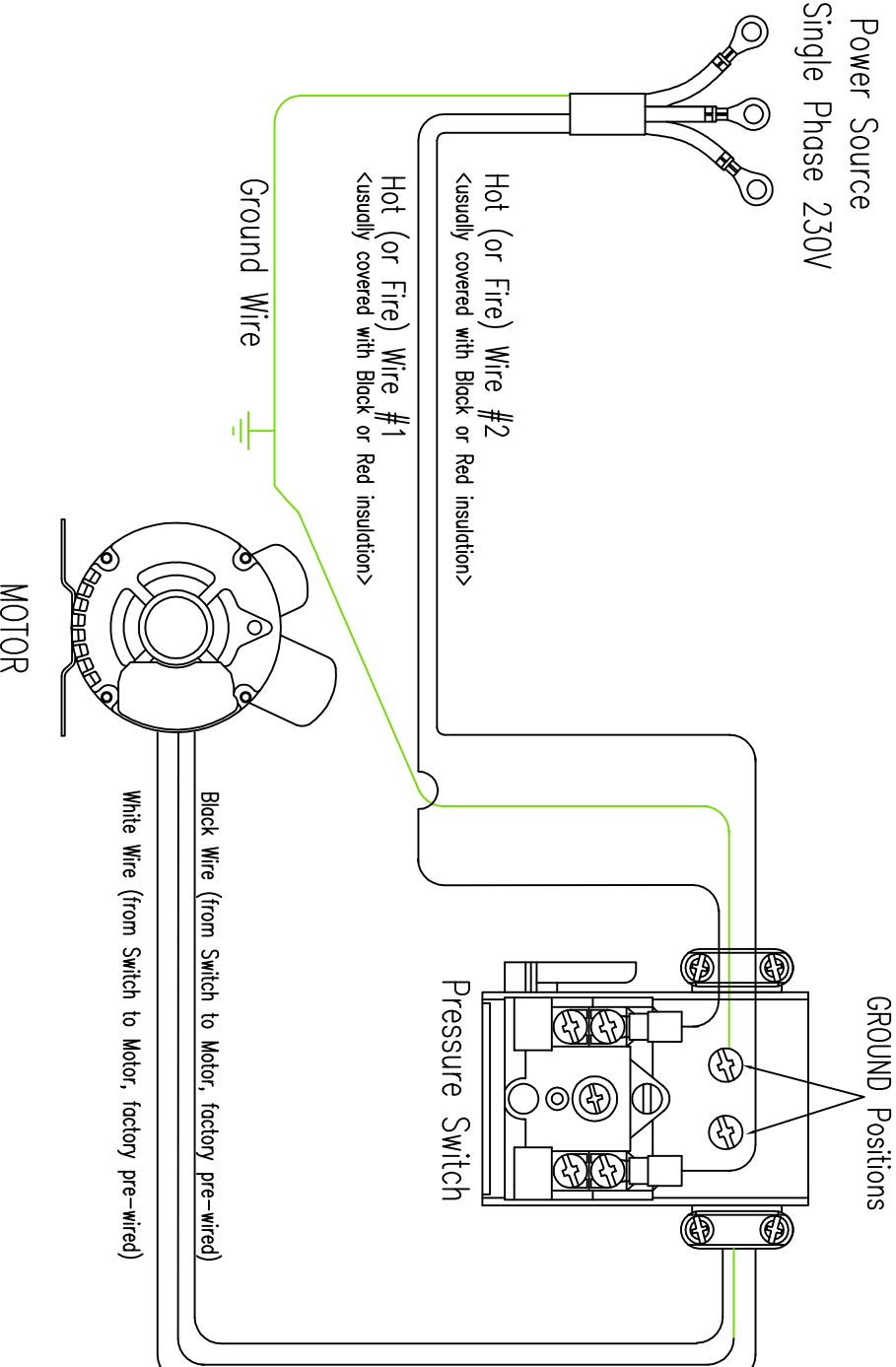
REF. NO.	DESCRIPTION	PART NO.	QTY.	REF. NO.	DESCRIPTION	PART NO.	QTY.
1	Cylinder head	3101045	2	20	Hex nut	2B20-FM08	8
2	Hex socket head bolt	2B01-M06*040	8	21	Crankcase	3301015	1
3	Split lock washer	2B33-M06	8	22	Oil cap	2319003	1
4	Elbow	2N06-04T04H	1	23	Oil cap gasket	2G11-005	1
5	Tee	2N09-04H04T04H1	1	24	Oil sight gauge	2303004	1
6	Discharge tube kit	3B2-04*240	1	25	Oil sight gauge gasket	2G11-003	1
7	Air filter	2140020A	2	26	Oil draining plug	2N33-001	1
8	Filter element	1807 (2142013)	2	27	Bearing	2N35-6204	1
9	Inlet & Outlet valve assembly	3B13-AC07	2	28	Crankshaft & counterweight	3304038	1
10	Valve plate gasket kit	3B71-PK20	2	29	Bearing	2N35-6205Z	1
11	Cylinder	3201035	2	30	Rear bearing end gasket	2G06-008	1
12	Cylinder gasket	2G04-003	2	31	Rear bearing end	3311015	1
13	Piston ring kit	3B32-65	2	32	Breather	2321002	1
14	Piston kit	3B31-65	2	33	Hex bolt	2B00-SM08*020	4
15	Rod	2315028	2	34	Oil seal	2N50-TC24*47*07	1
16	Oil splasher	2317017	2	35	Pulley	3PBF-105A124	1
17	Bolt (+)	2B02-FM5*010	2	36	Flat washer	2B30-08*35*35	1
18	Stud screw	2B11-001	8	37	Hex bolt	2B00-SM08*035A	1
19	Split lock washer	2B33-M08	9	38			

Wiring Diagram For Models: PK-6060V, PK-6030V, PN-7060V

Instructions:

- \*\* Use 10 Gauge (AWG 10) wires and terminals for wiring from power source to pressure switch.
- 1. Connect Hot Wire #1 to any one of two terminals labeled with LINE in the switch.
- 2. Connect Hot Wire #2 to another terminal labeled with LINE in the switch.
- 3. Connect GROUND wire to any one of two GROUND positions in the switch.

Power Source  
Single Phase 230V



Warning: This diagram is for your reference only. Please check with a qualified electrician or serviceman for wiring to meet your local electrical wiring code.  
Puma assumes no responsibility for changes to factory wiring.