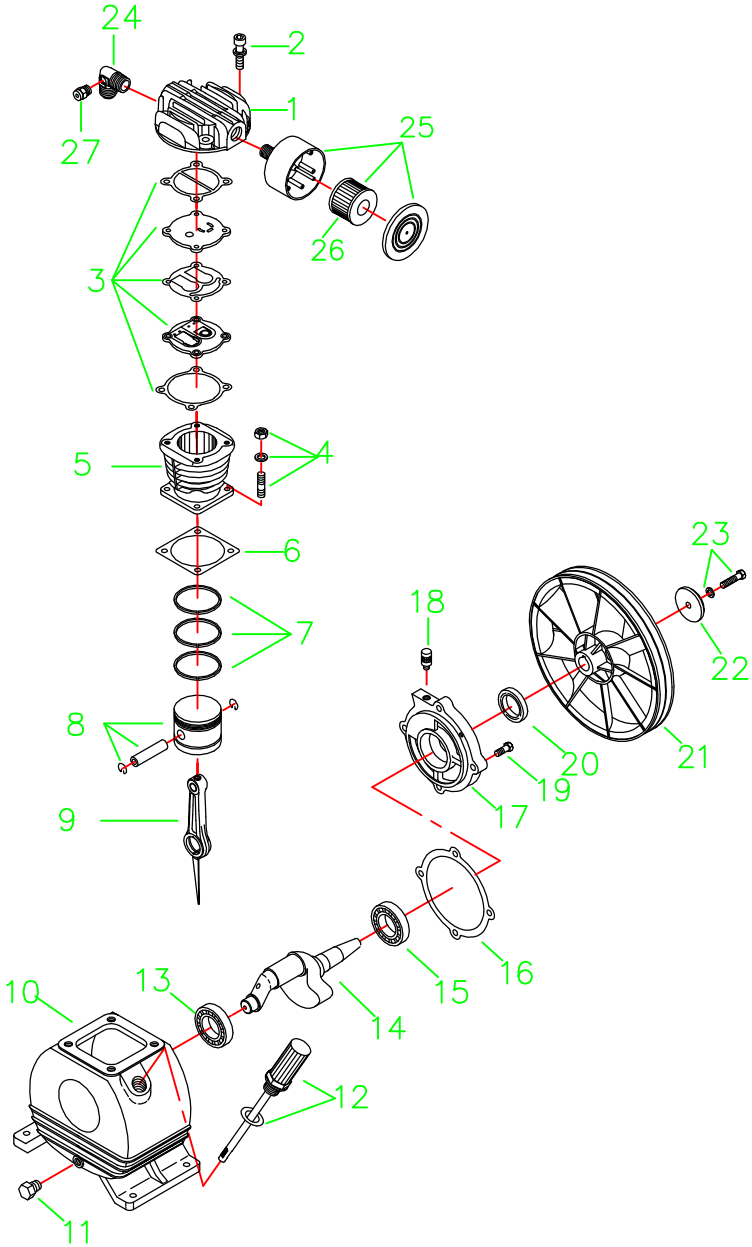
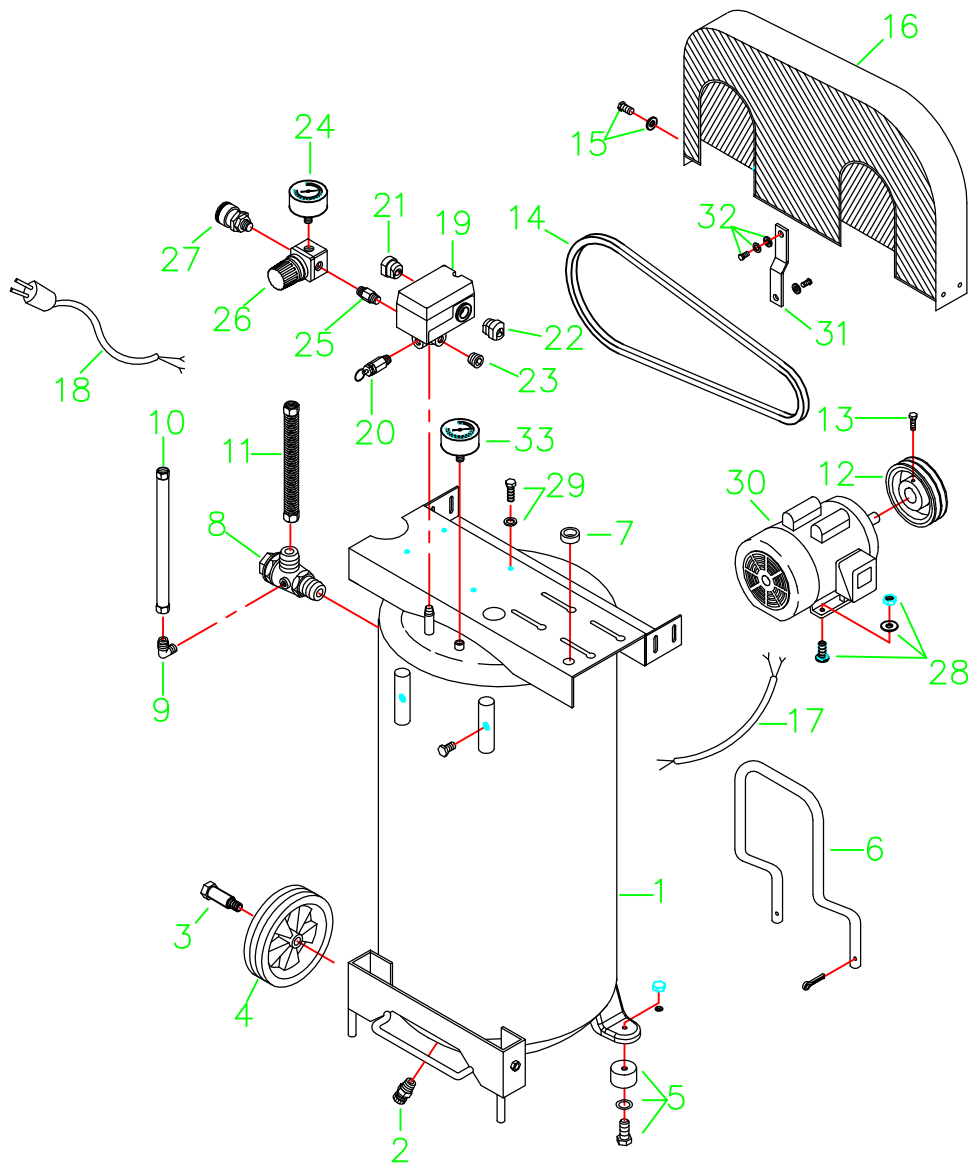


MODEL : PK-3015VP (Pump)



REF. NO.	PART NO.	DESCRIPTION	QTY.
1	3101047	Cylinder head	1
2	2B01-M06*040V	Allen bolt set	4
3	3B13-AC0765	In.& Ex.valve assembly	1
4	2B11-001-A	Double head screw set	4
5	3201035	Cylinder	1
6	2G04-003	Cylinder gasket	1
7	3B32-65	Piston ring set	1
8	3B31-65L	Piston set	1
9	3B33-H2022	Rod set	1
10	3301013	Crankcase	1
11	2N33-001	Oil draining plug	1
12	2339007A	Oil filling plug set	1
13	2N35-6204	Bearing	1
14	3304041	Crankshaft & balancer	1
15	2N35-6204Z	Bearing	1
16	2G06-008	Rear bearing seat gasket	1
17	3311013	Rear bearing seat	1
18	2321002	Breathing cover	1
19	2B00-SM08*020	Hexagon bolt	4
20	2N50-TC20*40*07	Oil seal	1
21	3PBF-105A120	Pulley	1
22	2B30-08*35*35	Plate washer	1
23	2B00-SM08*035AV	Hexagon bolt set	1
24	2N06-04T04H02T	Exhaust elbow	1
25	2140020A	Air filter set	1
26	2142013	Filter element	1
27	2409003	Auto relief valve	1

MODEL : PK-3015VP (Receiver Tank)



VER.: MP-0602

REF. NO.	PART NO.	DESCRIPTION	QTY.
1	3401592	Air tank	1
2	2405011	Drain valve	1
3	2418002	Tank wheel bolt	2
4	2402029	Tank wheel	2
5	2433013A	Rubber pad set	2
6	3432016-A	Grip	1
7	2E04-101	Bushing	1
8	2414025T	Check valve	1
9	2N06-01T02H	Unloading elbow	1
10	3B2-02*580T	Unloading tube	1
11	3B2-04*440	Exhaust tube set	1
12	3PMF-035A1W0515	Motor pulley	1
13	2B07-SM08*16	Hexagon bolt	1
14	2N31-A43	V-belt	1
15	2B00-FM08*015W	Hexagon bolt set	5
16	3426056	Belt guard	1
17	2E02-2030602Y2T	Cable	1
18	2E01-012W	Power cable	1
19	2E21-036T	Pressure switch	1
20	2406018T	Pressure relief valve	1
21	2E04-009	Strain relief bushing	1
22	2E04-012	Strain relief bushing	1
23	2B14-ST02E	Plug	1
24	2D12-15D15KS	Pressure gauge	1
25	2N01-02N02N045	Nipple	1
26	2408008LN	Regulator	1
27	07MSO1/4M-B	Quick coupler	1
28	2B08-FM08*20-B	Motor feet set bolt	4
29	2B00-FM08*025V	Hexagon bolt set	4
30	2M02-A7232	Motor	1
31	3427043	Bucket	1
32	2B00-FM06*020VW	Hexagon bolt set	1
33	2D12-20D14KS	Pressure gauge	1