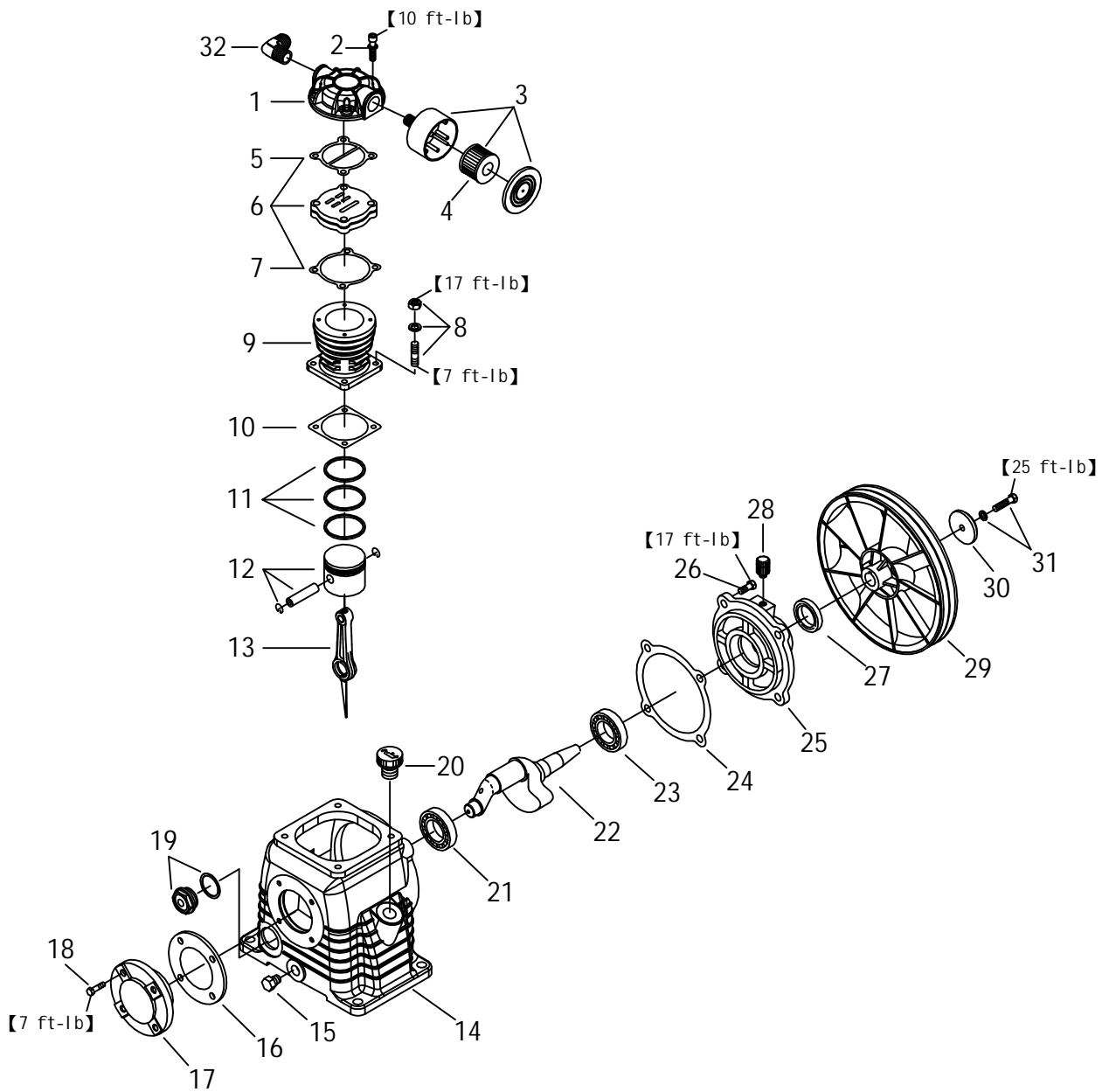


MODEL : CK30



SPARE PARTS LIST

NO: MF-1707

REF. NO.	DESCRIPTION	PART NO.	QTY.	REF. NO.	DESCRIPTION	PART NO.	QTY.
1	Cylinder head	3101099	1	17	Front cover	3309043A	1
2	Allen bolt set	3B01-M06*040V	4	18	Hexagon bolt	2B00-SM06*020	4
3	Air filter set	2140020A	1	19	Oil sight gauge set	2303022B	1
4	Filter element	2142013	1	20	Oil filling plug set	2319003A	1
5	Cylinder head gasket	2G01-015C	1	21	Bearing	2N35-6204	1
6	In. & Ex. valve assembly	3B13-K5065C	1	22	Crankshaft & balancer	3304041	1
7	Valve seat gasket	2G03-010H	1	23	Bearing	2N35-6204Z	1
8	Double head screw set	3B11-001-A	4	24	Rear bearing seat gasket	2G06-024	1
9	Cylinder	3201083	1	25	Rear bearing seat	3311035	1
10	Cylinder gasket	2G04-003	1	26	Hexagon bolt	2B00-SM08*020	4
11	Piston ring set	3B32-65N	1	27	Oil seal	2N50-TC20*40*07	1
12	Piston set	3B31-65N	1	28	Breather cover	2321008	1
13	Rod set	3B33-CK1022	1	29	Pully	3PBF-105A120	1
14	Crankcase	3301118	1	30	Plate washer	2B30-08*35*35	1
15	Oil draining plug	2N33-002	1	31	Hexagon bolt	3B00-SM08*035AV	1
16	Front cover gasket	2G05-018	1	32	Exhaust elbow	2N06-04T04H	1